

# Global Trigger Logic - Description for emulator

Herbert Bergauer, Babak Rahbaran, Johannes Wittmann  
Email: [herbert.bergauer@oeaw.ac.at](mailto:herbert.bergauer@oeaw.ac.at)

Institute of High Energy Physics (HEPHY)

<http://www.hephy.at>  
<http://globaltrigger.hephy.at>

April 17, 2020

## Revision History

Doc Rev	Description of Change	Revision Date
4.0	Removed listings (not usefull for emulator designers).	2020/04/17
3.9	Inserted text in section 2.4.3.2.2 for Calorimeter Overlap Remover conditions and 2.4.9.2.6 for Calo Calo Overlap Remover Correlation conditions.	2020/04/16
3.8	Updated text in sections 2.4.3, 2.4.8 and 2.4.9 for changes which have been done for GTL VHDL version 1.8.0 (module names without version number, "five eta cuts").	2019/08/13
3.7	Inserted "Asymmetry" and "Centrality" of "Energy sums" (GTL VHDL version 1.6.0). Therefore updated sections 2.1, 2.2.1, 2.4.4 added section "Centrality condition" 2.4.7	2018/08/13
3.6	Updated text in section "Global Trigger Logic" (2) according to firmware version v1.5.0 of gtl_module.vhd	2018/02/21
3.5	Inserted text for "Minimum bias trigger conditions" (2.4.5) and "Towercount condition" (2.4.6). Updated glossary.	2016/11/28
3.4	Updated text in section "Muon Muon Correlation condition module" (2.4.9.2.3).	2016/01/15
3.3	Removed "Double objects requirements condition with spatial correlation", because not used anymore in the future, replaced by Correlation conditions (see sections 2.4.3.2 and 2.4.8.3).	2016/01/08
3.2	Minor changes in text and updated Figure 3.	2016/01/08
3.1	Changed colour in Figure 4 and updated text for correlation conditions (see section 2.4.9).	2016/01/07
3.0	Updated Figures 3 and text 2.4.9.2.1.	2015/12/21
2.9	Inserted drawing of VHDL structure of cuts for correlation conditions (see Figure 5).	2015/11/18
2.8	Updated muon $\eta$ ranges (Table 7) and inserted correlation conditions (see section 2.4.9). Created scheme for conversion of calorimeter $\eta$ and $\varphi$ to muon scale for calo-muon-correlation conditions (see Figure 6).	2015/11/17
2.7	Added text in sections (2.4.3.2.3) and (2.4.8.3.2).	2015/10/08
2.6	Updated Tables 6 and 15. Remaned section "Calorimeter conditions module - version 2" to "Calorimeter conditions module - version 3" (see 2.4.3.2), section "Muon conditions module" to "Muon conditions module - version 2" and section "Muon comparators module" to "Muon comparators module - version 2" (see 2.4.8.3)	2015/10/02
2.5	Updated text and tables of $\eta$ ranges for Calorimeter objects (see 2.4.3.1).	2015/09/22

Doc Rev	Description of Change	Revision Date
2.4	Corrected calculation of muon $\eta$ step width (see <a href="#">2.4.8.1</a> ).	2015/09/10
2.3	Edited text in Tables <a href="#">6</a> , <a href="#">14</a> and <a href="#">15</a> .	2015/08/28
2.2	Updated definition of $\eta$ ranges for Calorimeter objects and Muon objects ( <a href="#">2.4.3.1</a> and <a href="#">2.4.8.1</a> ).	2015/08/20
2.1	Added section Calo Muon Correlation condition ( <a href="#">2.4.9.2.2</a> )	2015/08/19
2.0	Added section "Correlation conditions" ( <a href="#">2.4.9</a> ).	2015/06/19
1.9	Added tables for calorimeter isolation-bits and for muon quality- and isolation-bits definition ( <a href="#">5</a> , <a href="#">9</a> and <a href="#">10</a> ). Edited section glossary ( <a href="#">3</a> ) and acronyms.	2015/05/07
1.8	Added text for "Energy sum conditions" ( <a href="#">2.4.4</a> ) and updated chapters for "Calorimeter conditions" for version 2. Inserted isolation bits for electron/ $\gamma$ and tau objects ( <a href="#">2.4.3.1</a> ).	2015/05/06
1.7	Minor changes in sections "Muon data" ( <a href="#">2.4.8.1</a> )	2014/11/06
1.6	Minor changes in sections "Calorimeter conditions definition" ( <a href="#">2.4.3.2</a> ) and "Muon conditions definition" ( <a href="#">2.4.8.3</a> )	2014/07/01
1.5	Minor changes	2014/06/12
1.4	Fixed bug in Figure <a href="#">4</a>	2014/04/30
1.3	Added section "Muon conditions" ( <a href="#">2.4.8</a> )	2014/04/22
1.2	Changed Figure <a href="#">4</a> and minor changes in text for anti-clockwise behaviour in $\varphi$	2014/04/04
1.1	Changed text in section <a href="#">2.4.3.2</a> .	2014/02/11
1.0	Document created. Description of Calorimeter conditions.	2013/10/15

# Contents

<b>List of Figures</b>	<b>5</b>
<b>List of Tables</b>	<b>6</b>
<b>1 Package: lhc_data_pkg</b>	<b>7</b>
<b>2 Global Trigger Logic</b>	<b>8</b>
2.1 $\mu$ GTL Interface . . . . .	8
2.2 Definition of optical interfaces . . . . .	9
2.2.1 Calo-Layer2 optical interfaces . . . . .	9
2.2.2 Global Muon Trigger optical interfaces . . . . .	10
2.3 Implementation in firmware . . . . .	11
2.3.1 Top-of-hierarchy module . . . . .	12
2.3.2 Package module . . . . .	12
2.4 $\mu$ GTL structure . . . . .	13
2.4.1 Data $\pm 2bx$ . . . . .	13
2.4.2 Calculation of differences in $\eta$ and $\varphi$ . . . . .	13
2.4.3 Calorimeter conditions . . . . .	14
2.4.3.1 Calorimeter data . . . . .	14
2.4.3.2 Calorimeter conditions definition . . . . .	18
2.4.3.2.1 Calorimeter conditions module . . . . .	19
2.4.3.2.2 Calorimeter Overlap Remover conditions module . . . . .	19
2.4.3.2.3 Calorimeter comparators module . . . . .	19
2.4.4 Energy sum quantities conditions . . . . .	22
2.4.4.1 Energy sum quantities data . . . . .	22
2.4.4.2 Energy sum quantities conditions module (including Asymmetry conditions) . . . . .	24
2.4.5 Minimum bias trigger conditions . . . . .	24
2.4.6 Towercount condition . . . . .	24
2.4.7 Centrality condition . . . . .	24
2.4.8 Muon conditions . . . . .	25
2.4.8.1 Muon data . . . . .	25

2.4.8.2	Muon charge correlation module . . . . .	28
2.4.8.3	Muon conditions definition . . . . .	30
2.4.8.3.1	Muon conditions module . . . . .	31
2.4.8.3.2	Muon comparators module . . . . .	31
2.4.9	Correlation conditions . . . . .	33
2.4.9.1	Calculation of cuts . . . . .	33
2.4.9.1.1	$\Delta R$ calculation . . . . .	34
2.4.9.1.2	Invariant mass calculation . . . . .	34
2.4.9.1.3	Transverse mass calculation . . . . .	34
2.4.9.1.4	Two-body pt calculation . . . . .	34
2.4.9.2	Correlation condition modules . . . . .	34
2.4.9.2.1	Calo Calo Correlation condition module . . . . .	35
2.4.9.2.2	Calo Muon Correlation condition module . . . . .	36
2.4.9.2.3	Muon Muon Correlation condition module . . . . .	38
2.4.9.2.4	Calo Esums Correlation condition module . . . . .	39
2.4.9.2.5	Muon Esums Correlation condition module . . . . .	39
2.4.9.2.6	Calo Calo Overlap Remover Correlation condition module . . . . .	40
2.4.10	External Conditions . . . . .	41
2.4.11	Algorithms logic . . . . .	41
<b>3</b>	<b>Glossary</b>	<b>42</b>

## List of Figures

1	$\mu$ GTL firmware . . . . .	8
2	VHDL file generation by VHDL Producer . . . . .	11
3	Scheme of $\mu$ GTL pipeline structure . . . . .	13
4	Setting the limits for "window"-comparators for $\varphi$ . . . . .	21
5	VHDL structure of cuts for correlation conditions . . . . .	33
6	Conversion of calorimeter $\eta$ and $\varphi$ to muon scales . . . . .	37

## List of Tables

2	$\eta$ scale of electron/ $\gamma$ and tau . . . . .	16
3	$\eta$ scale of jet . . . . .	16
4	$\varphi$ scale of calorimeter objects . . . . .	16
5	Definition of e/ $\gamma$ and tau isolation bits . . . . .	17
6	LUT contents for isolation comparison of electron/ $\gamma$ and tau objects . . . . .	20
7	$\eta$ scale of muon objects . . . . .	26
8	$\varphi$ scale of muon objects . . . . .	26
9	Definition of muon quality bits . . . . .	26
10	Definition of muon isolation bits . . . . .	27
11	Muon charge correlation - Double Muon . . . . .	28
12	Muon charge correlation - Triple Muon . . . . .	28
13	Muon charge correlation - Quad Muon . . . . .	29
14	LUT contents for quality comparison of muon objects . . . . .	32
15	LUT contents for isolation comparison of muon objects . . . . .	32

## 1 Package: lhc\_data\_pkg

The VHDL record `lhc_data_t` (shown in Listing 1) is used as a container for all object streams processed by the system. It is declared in the VHDL package `lhc_data_pkg`. For debugging and simulation purposes a second package (`lhc_data_debug_util_pkg`) is created which contains functions to convert the `lhc_data_t` to a hexadecimal string representation and vice versa. The testbench of the design uses these functions to load the contents of the SIM memory from a file.

Listing 1: `lhc_data_t` record specification

```
type lhc_data_t is record
    muon : muon_array_t;
    eg : eg_array_t;
    tau : tau_array_t;
    jet : jet_array_t;
    ett : std_logic_vector(ETT_DATA_WIDTH-1 downto 0);
    ht : std_logic_vector(HT_DATA_WIDTH-1 downto 0);
    etm : std_logic_vector(ETM_DATA_WIDTH-1 downto 0);
    htm : std_logic_vector(HTM_DATA_WIDTH-1 downto 0);
    etmhf : std_logic_vector(ETMHF_DATA_WIDTH-1 downto 0);
    htmhf : std_logic_vector(HTMHF_DATA_WIDTH-1 downto 0);
    link_11_fr_0_data : std_logic_vector(LINK_11_FR_0_WIDTH-1 downto
    0);
    link_11_fr_1_data : std_logic_vector(LINK_11_FR_1_WIDTH-1 downto
    0);
    link_11_fr_2_data : std_logic_vector(LINK_11_FR_2_WIDTH-1 downto
    0);
    link_11_fr_3_data : std_logic_vector(LINK_11_FR_3_WIDTH-1 downto
    0);
    link_11_fr_4_data : std_logic_vector(LINK_11_FR_4_WIDTH-1 downto
    0);
    link_11_fr_5_data : std_logic_vector(LINK_11_FR_5_WIDTH-1 downto
    0);
    external_conditions : std_logic_vector(
    EXTERNAL_CONDITIONS_DATA_WIDTH-1 downto 0);
end record;
```



## 2 Global Trigger Logic

### Remark:

this description is for version 1.10.6 of Global Trigger Logic.

The Global Trigger Logic ( $\mu$ GTL) firmware contains conditions and Algorithms for trigger decision.

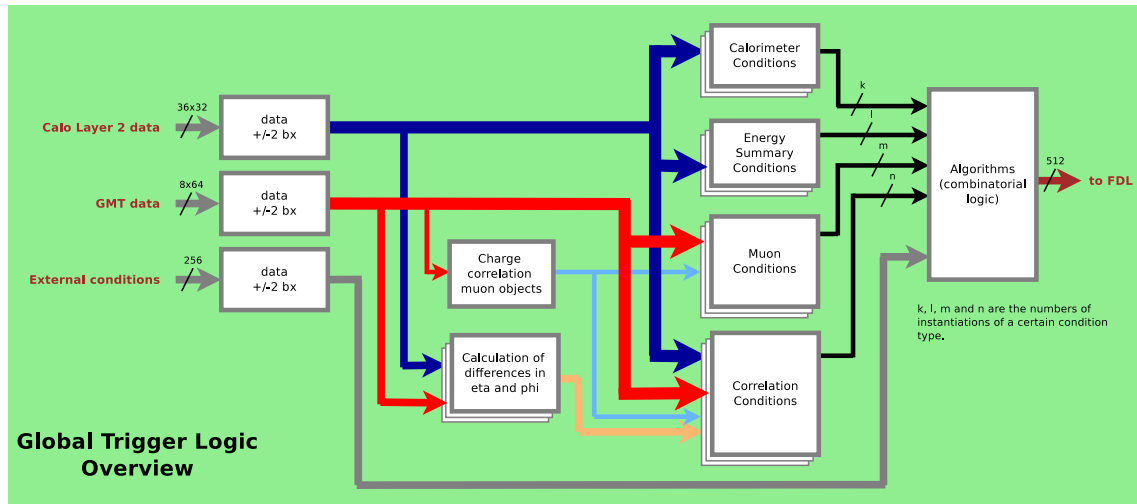


Figure 1:  $\mu$ GTL firmware

### 2.1 $\mu$ GTL Interface

#### Inputs:

- Calo-Layer2 data
  - Electron/ $\gamma$  objects
  - Jet objects
  - Tau objects
  - Energy summary information: Total Et (ET), total Et from ECAL only (ETTEM), total calibrated Et in jets (HT), missing Et ( $ET_{miss}$ ), missing Et including HF ( $ET_{miss}^{HF}$ ), missing Ht objects ( $HT_{miss}$ ), missing Ht including HF ( $HT_{miss}^{HF}$ ) and "Asymmetry" information (ASYMET, ASYMHT, ASYMETHF, ASYMHTEF)
  - Minimum bias HF bits (included in energy summary information data structure)
  - Towercount bits (number of firing HCAL towers, included in energy summary information data structure)
  - "Centrality" bits
- Global Muon Trigger data

- External conditions
- LHC-clock

### Outputs:

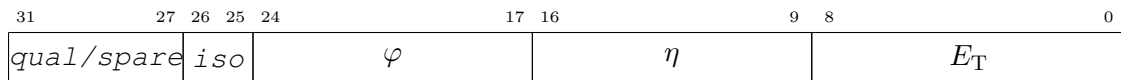
- Algorithms

## 2.2 Definition of optical interfaces

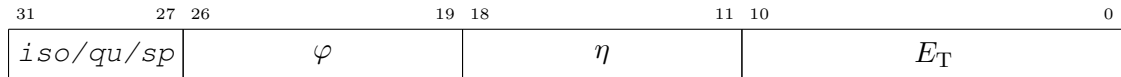
Remark: all definitions in the following chapters are from a CMS Detector Note: "Scales for inputs to  $\mu$ GT" (see actual version in <http://globaltrigger.hephy.at/upgrade/ugt/downloads/>).

### 2.2.1 Calo-Layer2 optical interfaces

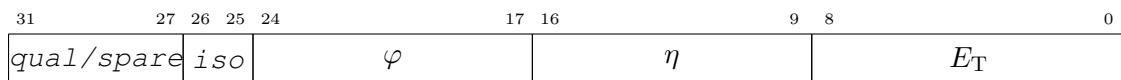
The data structure of an electron/ $\gamma$  object (bits 27..31 are not defined yet, reserved for quality, ...):



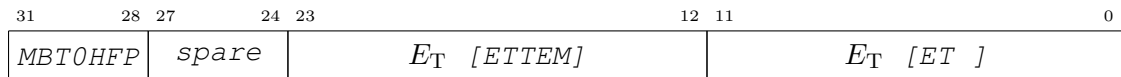
The data structure of a jet object (bits 27..31 are not defined yet, reserved for quality, ...):



The data structure of a tau object (bits 27..31 are not defined yet, reserved for quality, ...):



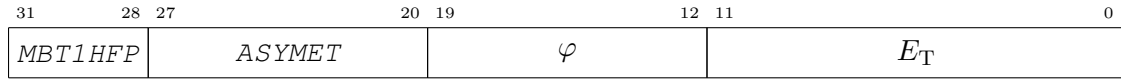
The data structure of "total Et" (ET) quantity [including "total Et from ECAL only" (ET-TEM) and "minimum bias HF+ threshold 0" bits]:



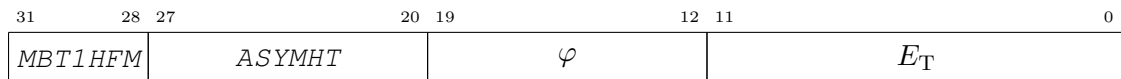
The data structure of "total calibrated Et in jets" (HT) quantity [including "towercount" and "minimum bias HF- threshold 0" bits]:



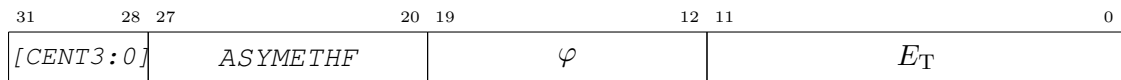
The data structure of "missing Et" ( $ET_{\text{miss}}$ ) quantity [including "Asymmetry" ASYMET and "minimum bias HF+ threshold 1" bits]:



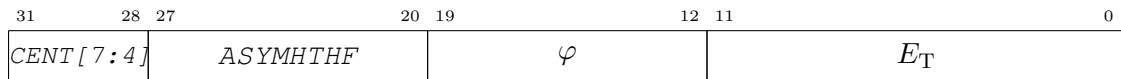
The data structure of "missing Ht" ( $HT_{\text{miss}}$ ) quantity [including "Asymmetry" ASYMHT and "minimum bias HF- threshold 1" bits]:



The data structure of "missing Et including HF" ( $ET_{\text{miss}}^{\text{HF}}$ ) quantity [including "Asymmetry" ASYMETHF and "Centrality" bits (3:0)]:

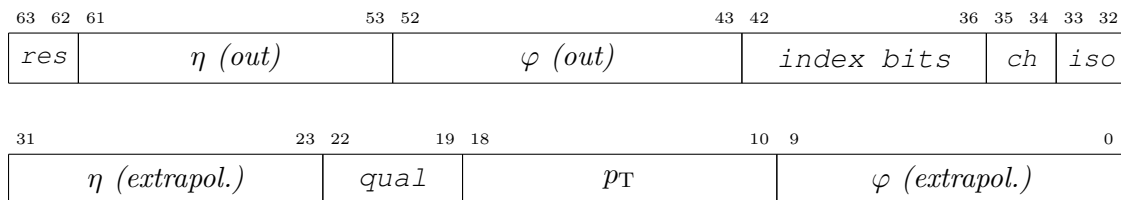


The data structure of "missing Ht including HF" ( $HT_{\text{miss}}^{\text{HF}}$ ) quantity [including "Asymmetry" ASYMHTHF and "Centrality" bits (7:4)]:



## 2.2.2 Global Muon Trigger optical interfaces

The data structure of a muon object (64 bits - bit 34 = charge sign, bit 35 = charge valid, bits 62 and 63 are spare bits):



## 2.3 Implementation in firmware

Remark: all definitions for scales in the following chapters are from a CMS Detector Note: "Scales for inputs to  $\mu$ GT" (see actual version in <http://globaltrigger.hephy.at/upgrade/ugt/downloads/>).

The firmware of  $\mu$ GTL consists of two main parts:

- A top-of-hierarchy file (`gtl_module.vhd`), which contains the pipeline for  $\pm 2bx$  data, the instantiations of calculators for differences in  $\eta$  and  $\varphi$ , the instantiations of conditions, the instantiations of charge correlation logic of muons and the Algorithms logic for 512 Algorithms, as well as a package file (`gtl_pkg.vhd`) for declarations. Both files generated by VHDL Producer for every Trigger Menu (see Figure 2). In addition, VHDL Producer creates a VHDL files for the mapping of Algorithms (`algo_mapping_rop.vhd`) for  $\mu$ FDL.
- A set of VHDL-files for all the modules instantiated in top-of-hierarchy and the modules in the hierarchy. These files, called the "fixed part", are not influenced by VHDL Producer.

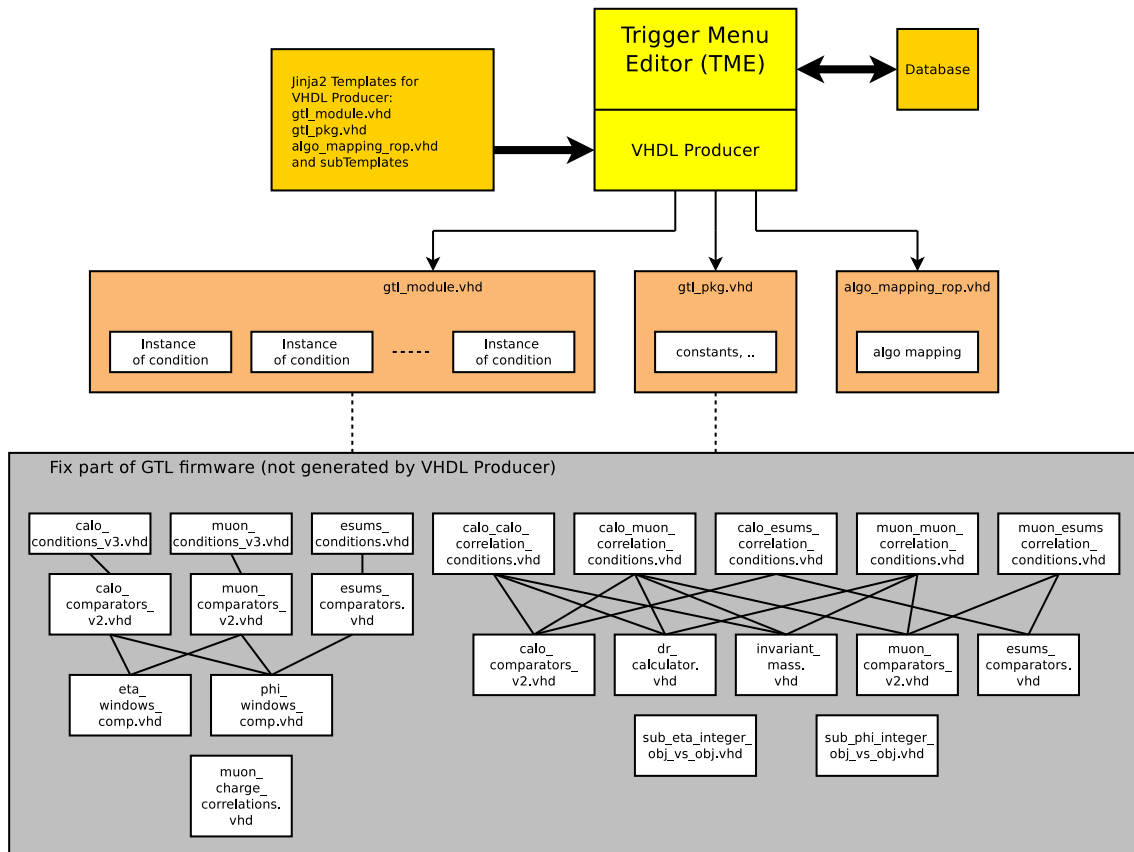


Figure 2: VHDL file generation by VHDL Producer

The latency of  $\mu$ GTL is fixed to 5 bunch crossings, 2 bunch crossings for the pipeline of  $\pm 2bx$  data (for data with  $+2bx$  and  $+1bx$ ), 2 bunch crossings for conditions (fixed), also for the

conditions requested in the future, 1 bunch crossing for the logic of Algorithms (See Figure 3).

If there are not enough firmware resources in FPGA of one AMC board for 512 Algorithms, more boards could be used. Therefore the 512 Algorithms are **partitioned by TME** (e.g. the first board covers Algorithms 0..200 and the second Algorithms 201..511). Trigger Menu Editor (TME) will give the number of Algorithms per module as constant in the package module `gtl_pkg.vhd`. This means  $\mu$ GTL and  $\mu$ FDL firmware considered as a unit for synthesis.

### 2.3.1 Top-of-hierarchy module

The top-of-hierarchy module (`gtl_module.vhd`) contains

- the pipeline for  $\pm 2bx$  data
- the instantiations of charge correlation logic of muons (generated by VHDL Producer)
- the instantiations of calculators for differences in  $\eta$  and  $\varphi$  (generated by VHDL Producer)
- the instantiations of conditions (generated by VHDL Producer)
- a boolean logic for Algorithms (generated by VHDL Producer)

### 2.3.2 Package module

All the declarations for arrays ('type'), parameters ('constant') and look-up-tables ('constant') used in modules are in `gtl_pkg.vhd` package-file.

## 2.4 $\mu$ GTL structure

### 2.4.1 Data $\pm 2$ bx

The  $\mu$ GTL input data flow through a register pipeline of four stages. With those data it is possible to have conditions with objects from different bunch crossings (within  $\pm 2$  bunch crossings), e.g. for Correlation conditions.

See Figure 3 for a scheme of  $\mu$ GTL pipeline structure. The data "data\_p\_1bx" and "data\_p\_2bx" occur 1 respectively 2 bunch crossings after data for a certain bunch crossing, therefore we got 2 bunch crossings of latency from those data. The data "data\_m\_1bx" and "data\_m\_2bx" have no influence on latency, because coming before data for a certain bunch crossing.

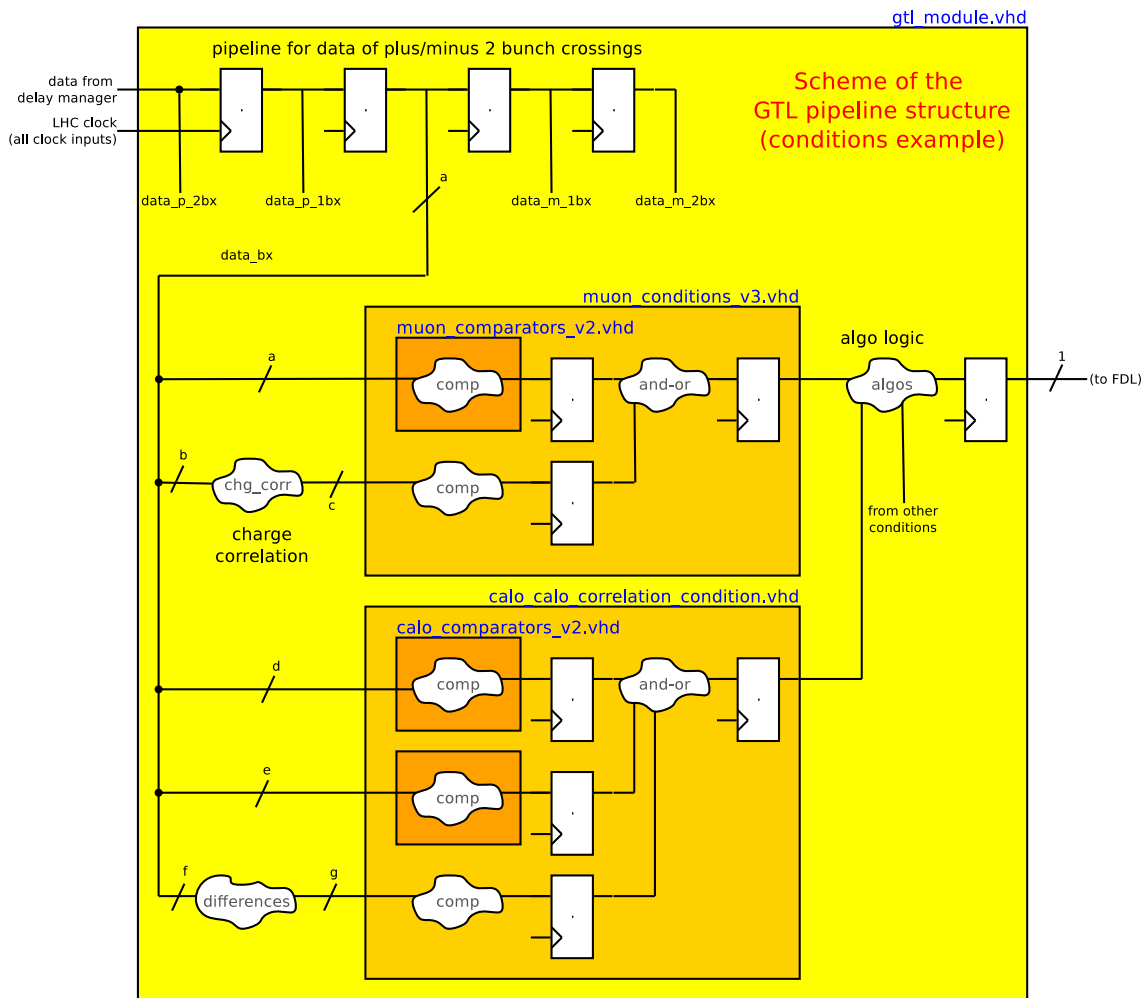


Figure 3: Scheme of  $\mu$ GTL pipeline structure

### 2.4.2 Calculation of differences in $\eta$ and $\varphi$

Some condition types namely correlation conditions uses differences in  $\eta$  and  $\varphi$  to make the decision. Therefore these differences are calculated out of these conditions, because the dif-

ferences can be used several times in different condition types. The differences in  $\eta$  and  $\varphi$  are calculated in bins. These differences in bins are converted to numbers (by LUTs), which represents values of differences (multiples of units in  $\eta$  and  $\varphi$ ). Differences in  $\varphi$  are provided by module `sub_phi_integer_obj_vs_obj.vhd`, which instantiates the module `sub_unsigned_phi.vhd` as many times as the numbers of both objects determine.

In the module `sub_unsigned_phi.vhd` a calculation of a difference of two objects is done, both objects must have the same resolution, namely the higher one. The result is the absolute value of the difference. There are two differences in  $\varphi$ , one "clockwise" and one "anti-clockwise". For the final result the smaller difference is taken.

Differences in  $\eta$  are provided by module `sub_eta_integer_obj_vs_obj.vhd`, which instantiates the module `sub_signed_eta.vhd` as many times as the numbers of both objects determine.

In the module `sub_signed_eta.vhd` a calculation of a difference of two objects is done with a signed subtraction, because of the Two's Complement notation of  $\eta$  values. The result is the absolute value of the difference.

### 2.4.3 Calorimeter conditions

#### 2.4.3.1 Calorimeter data

The calorimeter trigger processing identifies **electron/ $\gamma$** , **jet and tau** objects and **energy sum quantities**.

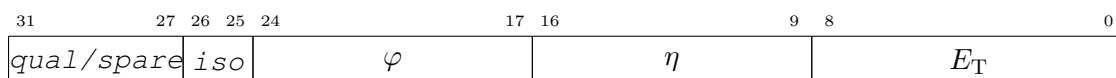
##### **electron/ $\gamma$ :**

Twelve objects are passed to the  $\mu$ GT for each event.

For each selected object, the Calo-Layer2 sends parameters for  $E_T$  and for position and quality information - encoded in 32 bits:

- 9 bits  $E_T$ , range = 0..255 GeV (HW index = 0..0x1FF), step = 0.5, the highest bin will mark an overflow (HW index 0x1FF): meaning has to be defined
- 8 (7+1 sign) bits pseudo-rapidity ( $\eta$ ) position, range = -3.0 to 3.0, step = 0.087/2, linear scale, 138 bins (HW index = 0xBC..0x44)
- 8 bits azimuth angle ( $\varphi$ ) position, range =  $2\pi$ , step  $\approx 2\pi/144$  ( $\cong 2.5^\circ$ ), 144 bins (HW index = 0..0x8F), HW index starting at  $0^\circ$  (anti-clockwise)
- 2 bits isolation (meaning not defined yet!)
- 5 bits quality and spare (not defined yet!)

The data structure of an electron/ $\gamma$  object (bits 27..31 are not defined yet, reserved for quality, ...):



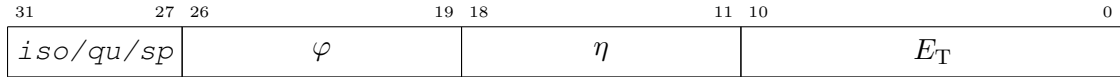
**jet:**

Twelve objects are passed to the  $\mu$ GT for each event.

For each selected object, the Calo-Layer2 sends parameters:  $E_T$ , for position and quality information - encoded in 32 bits:

- 11 bits  $E_T$ , range = 0..1023 GeV (HW index = 0..0x7FF), step = 0.5, the highest bin will mark an overflow (HW index 0x7FF): meaning has to be defined
- 8 (7+1 sign) bits pseudo-rapidity ( $\eta$ ) position, range = -5.0 to 5.0, step = 0.087/2, linear scale, 230 bins (HW index = 0x8E..0x72)
- 8 bits azimuth angle ( $\varphi$ ) position, range =  $2\pi$ , step  $\approx 2\pi/144$  ( $\cong 2.5^\circ$ ), 144 bins (HW index = 0..0x8F), HW index starting at  $0^\circ$  (anti-clockwise)
- 5 bits quality and spare (not defined yet!)

The data structure of a jet object (bits 27..31 are not defined yet, reserved for quality, ...):

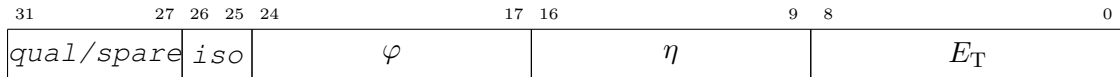
**tau:**

Twelve objects are passed to the  $\mu$ GT for each event.

For each selected object, the Calo-Layer2 sends parameters for  $E_T$  and for position and quality information - encoded in 32 bits:

- 9 bits  $E_T$ , range = 0..255 GeV (HW index = 0..0x1FF), step = 0.5, the highest bin will mark an overflow (HW index 0x1FF): meaning has to be defined
- 8 (7+1 sign) bits pseudo-rapidity ( $\eta$ ) position, range = -3.0 to 3.0, step = 0.087/2, linear scale, 138 bins (HW index = 0xBC..0x44)
- 8 bits azimuth angle ( $\varphi$ ) position, range =  $2\pi$ , step  $\approx 2\pi/144$  ( $\cong 2.5^\circ$ ), 144 bins (HW index = 0..0x8F), HW index starting at  $0^\circ$  (anti-clockwise)
- 2 bits isolation (meaning not defined yet!)
- 5 bits quality and spare (not defined yet!)

The data structure of a tau object (bits 27..31 are not defined yet, reserved for quality, ...):



The representation of the 8 bits (called "hardware index [HW index]") in  $\eta$  is expected as Two's Complement notation as shown in Table 3.

The representation of the 8 bits in  $\varphi$  is expected as shown in Table 4.

The representation of the 2 bits for isolation ( $e/\gamma$  and tau) is expected as shown in Table 5.



Table 2:  $\eta$  scale of electron/ $\gamma$  and tau

HW index	$\eta$ range	$\eta$ bin
0x44	$68*0.087/2$ to $69*0.087/2$	68
...	...	...
0x01	$0.087/2$ to $2*0.087/2$	1
0x00	0 to $0.087/2$	0
0xFF	0 to $-0.087/2$	-1
0xFE	$-0.087/2$ to $-2*0.087/2$	-2
...	...	...
0xBC	$-68*0.087/2$ to $-69*0.087/2$	-69

Table 3:  $\eta$  scale of jet

HW index	$\eta$ range	$\eta$ bin
0x72	$114*0.087/2$ to $115*0.087/2$	114
...	...	...
0x01	$0.087/2$ to $2*0.087/2$	1
0x00	0 to $0.087/2$	0
0xFF	0 to $-0.087/2$	-1
0xFE	$-0.087/2$ to $-2*0.087/2$	-2
...	...	...
0x8E	$-114*0.087/2$ to $-115*0.087/2$	-115

Table 4:  $\varphi$  scale of calorimeter objects

HW index	$\varphi$ range	$\varphi$ range [degrees]	$\varphi$ bin
0x00	0 to $2\pi/144$	0 to 2.5	0
0x01	$2\pi/144$ to $2*2\pi/144$	2.5 to 5.0	1
...	...	...	...
0x8F	$143*2\pi/144$ to $2\pi$	357.5 to 360	143

Table 5: Definition of  $e/\gamma$  and tau isolation bits

bits [26..25]	definition
00	not isolated
01	isolated
10	TBD
11	TBD

### 2.4.3.2 Calorimeter conditions definition

A condition consists of calorimeter objects as input data and a set of requirements, which contain the requirements to be complied.

The requirement for calorimeter conditions contains:

one threshold for  $E_T$ , ranges for  $\eta$ ,  $\varphi$  LUTs for isolation and differences in  $\eta$  and  $\varphi$ . In addition the selection of the "relative bx" of objects is done in the requirement.

The condition is complied, if every comparison between object parameters and requirements is valid for the following equation:

- $E_T$  greater-equal or equal threshold
- $\eta$  in range
- $\varphi$  in range
- isolation as requested (for electron/ $\gamma$  and tau)

*Additional comparisons for "quality information" could be part of the equation - but not defined yet.*

There are different types of calorimeter conditions implemented, depending of how many objects have to comply the requirements.

- "Quad objects requirements condition": this condition type consists of requirements for 4 different trigger objects of the same object type. For each object the requirements can be different. To fulfill this condition, there must exist at least one set of 4 different objects, each of which fulfills at least one of the requirements.
- "Triple objects requirements condition": this condition type consists of requirements for 3 different trigger objects of the same object type. For each object the requirements can be different. To fulfill this condition, there must exist at least one set of 3 different objects, each of which fulfills at least one of the requirements.
- "Double objects requirements condition": this condition type consists of requirements for 2 different trigger objects of the same object type. For each object the requirements can be different. To fulfill this condition, there must exist at least one set of 2 different objects, each of which fulfills at least one of the requirements.<sup>1</sup>
- "Single object requirement condition": this condition type consists of one requirement for one trigger object of a given object type. To fulfill this condition, there must exist at least one object which fulfills the requirement.

The selection of the mode of  $E_T$ -comparator (greater/equal or equal), the  $E_T$ -threshold-value, ranges for  $\eta$  and  $\varphi$  set with thresholds, LUTs for isolation and ranges for differences in  $\eta$  and  $\varphi$  set with thresholds are fixed values given by VHDL Producer for every Trigger Menu. The objects have to be of same type and same bunch-crossing.

---

<sup>1</sup>"Double objects requirements condition with spatial correlation" not used anymore, replaced by Correlation conditions

### 2.4.3.2.1 Calorimeter conditions module

The module for conditions with calorimeter objects (`calo_conditions.vhd`) instantiates the calorimeter comparators module (`calo_comparators.vhd`) as many times as the numbers of objects and requirements determine.

For comparison in  $\eta$ ,  $\varphi$  and the differences in  $\eta$  and  $\varphi$ , "window"-comparators are used. In the calorimeter conditions module a cut for two-body pt calculation can be selected (see 2.4.9.1.4). Therefore a threshold value for two-body pt is required.

### 2.4.3.2.2 Calorimeter Overlap Remover conditions module

The Calorimeter Overlap Remover conditions consists of a Calorimeter condition (2.4.3.2.1) and a single condition for a different calo object type. One or more correlation cut(s) ( $\Delta\eta$ ,  $\Delta\varphi$  and  $\Delta R$  - 2.4.9) for overlap removal is required between different calo object types. Overlap Remover conditions `calo_conditions_orm.vhd` are implemented only for calo object types.

### 2.4.3.2.3 Calorimeter comparators module

A comparator between the energy ( $E_T$ ) and a threshold (`et_threshold`) and a comparison in  $\eta$  with five "window"-comparators and  $\varphi$  with two "window"-comparators is done in this basic module. The values for  $E_T$  threshold, the 'mode-selection' for the  $E_T$  comparator and the "limits" of the "window"-comparators is given in the generic interface list of the module. Additionally the data-structure of input data (`data_i` in port interface list) is provided as a record in this list. The output signal of the module is in high state, if all comparisons are true.

The comparison in  $\eta$  is done with five "window"-comparators, so one gets max. five ranges for  $\eta$ . The  $\eta$  value (HW index) has a Two's Complement notation, the comparisons is done signed. Number of windows is given for  $\eta$ .

The comparison in  $\varphi$  is done with two "window"-comparators, so one gets two ranges for  $\varphi$ . The comparisons is done unsigned. There are two flags, one for "full-range" and one for "ignore-second-window" for the selection of the ranges.

There are two cases how the limits of one "window"-comparator could be set (see also Figure 4 and Listing 2):

- Upper limit is less than lower limit =>  $\varphi$  range between the limits, including the  $\varphi$  bin with value = 0 (HW index).
- Upper limit is greater/equal than lower limit =>  $\varphi$  range between the limits, not including the  $\varphi$  bin with value = 0 (HW index).

The comparison of isolation (for electron/ $\gamma$  and tau) is done with LUTs.

The values of  $\eta$  and  $\varphi$  have to be inside of only one of the required ranges ("or").

The comparison of isolation (for electron/ $\gamma$  and tau) is done with LUTs (see Table 6). Only the least significant 4 bits of LUT are used, because currently 2 isolation bits are defined.

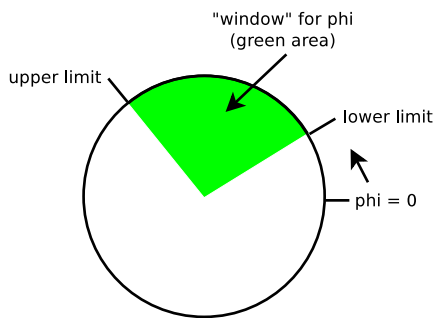
Table 6: LUT contents for isolation comparison of electron/ $\gamma$  and tau objects

LUT content (16 bits)	isolation bits [26..25]	trigger
X"0"	xx	no trigger
X"1"	00	trigger on isolation bits = 00
X"2"	01	trigger on isolation bits = 01
X"3"	00 or 01	trigger on isolation bits = 00 or 01
X"4"	10	trigger on isolation bits = 10
X"5"	00 or 10	trigger on isolation bits = 00 or 10
X"6"	01 or 10	trigger on isolation bits = 01 or 10
X"7"	00 or 01 or 10	trigger on isolation bits = 00 or 01 or 10
X"8"	11	trigger on isolation bits = 11
X"9"	00 or 11	trigger on isolation bits = 00 or 11
X"A"	01 or 11	trigger on isolation bits = 01 or 11
X"B"	00 or 01 or 11	trigger on isolation bits = 00 or 01 or 11
X"C"	10 or 11	trigger on isolation bits = 10 or 11
X"D"	00 or 10 or 11	trigger on isolation bits = 00 or 10 or 11
X"E"	01 or 10 or 11	trigger on isolation bits = 01 or 10 or 11
X"F"	00 or 01 or 10 or 11	trigger on isolation bits = 00 or 01 or 10 or 11 (= "ignore" isolation)

Listing 2: VHDL code of "window"-comparator in  $\varphi$

```
phi_comp_w1 <= '1' when phi_w1_upper_limit < phi_w1_lower_limit and  
    (phi <= phi_w1_upper_limit or phi >= phi_w1_lower_limit) else  
    '1' when phi_w1_upper_limit >= phi_w1_lower_limit and  
    (phi <= phi_w1_upper_limit and phi >= phi_w1_lower_limit)  
    else '0';
```

Upper limit is greater/equal than lower limit



Upper limit is less than lower limit

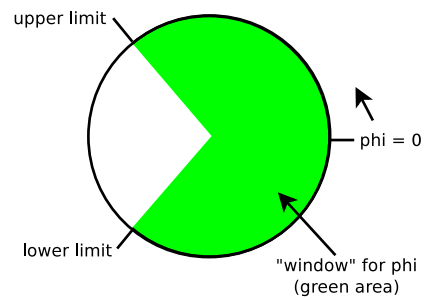


Figure 4: Setting the limits for "window"-comparators for  $\varphi$

### 2.4.4 Energy sum quantities conditions

#### energy sum quantities:

Consists of following quantities (naming convention see 3):

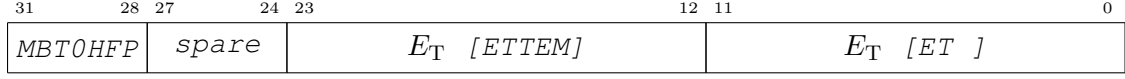
- **ET**
- **HT**
- $ET_{\text{miss}}$
- $HT_{\text{miss}}$
- **ETTEM**
- $\mathbf{ET}_{\text{miss}}^{\text{HF}}$
- $\mathbf{HT}_{\text{miss}}^{\text{HF}}$
- **ASYMET**
- **ASYMHT**
- **ASYMETHF**
- **ASYMHTHF**
- **CENT0**
- ..
- **CENT7**

#### 2.4.4.1 Energy sum quantities data

Calo-Layer2 sends 6 frames (each 32 bits) with Energy sum quantities containing the following information:

- $E_T$ , 12 bits, range = 0..2047 GeV (HW index = 0..0xFFF), step = 0.5, the highest bin will mark an overflow (HW index 0xFFF): meaning has to be defined
- azimuth angle ( $\varphi$ ) position, 8 bits, range =  $2\pi$ , step  $\approx 2\pi/144$  ( $\cong 2.5^\circ$ ), 144 bins (HW index = 0..0x8F), HW index starting at  $0^\circ$  (anti-clockwise)
- "Towercount", 13 bits, range = 0..8191
- "Minimum bias", 4 bits, range = 0..15
- "Asymmetry", 8 bits, range = 0..255 (used 0..100)
- "Centrality", 8 bits, used as signals

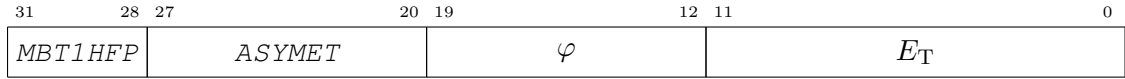
Frame0: The data structure of "total Et" (ET) quantity [including "total Et from ECAL only" (ETTEM) and "minimum bias HF+ threshold 0" bits]:



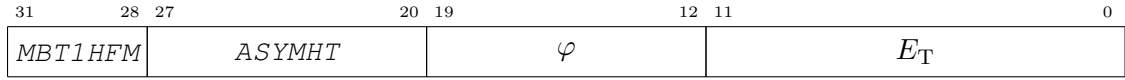
Frame1: The data structure of "total calibrated Et in jets" (HT) quantity [including "tower-count" and "minimum bias HF- threshold 0" bits]:



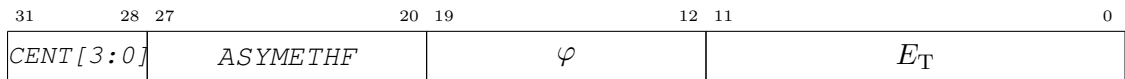
Frame2: The data structure of "missing Et" ( $ET_{miss}$ ) quantity [including "Asymmetry" ASYMET and "minimum bias HF+ threshold 1" bits]:



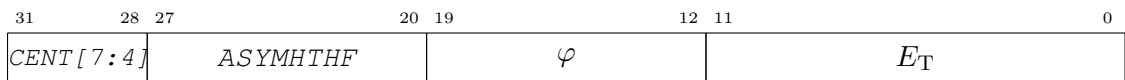
Frame3: The data structure of "missing Ht" ( $HT_{miss}$ ) quantity [including "Asymmetry" ASYMHT and "minimum bias HF- threshold 1" bits]:



Frame4: The data structure of "missing Et including HF" ( $ET_{miss}^{HF}$ ) quantity [including "Asymmetry" ASYMETHF and "Centrality" bits (3:0)]:



Frame5: The data structure of "missing Ht including HF" ( $HT_{miss}^{HF}$ ) quantity [including "Asymmetry" ASYMHTHF and "Centrality" bits (7:4)]:





#### 2.4.4.2 Energy sum quantities conditions module (including Asymmetry conditions)

A comparator between  $E_T$  and a threshold (`et_threshold`) and, depending on object type, a comparison in  $\varphi$  with two "window"-comparators is done in this module. The value for  $E_T$  threshold, the 'mode-selection' for the  $E_T$  comparator and the limits for the "window"-comparators are given in the generic interface list of the module. The selection whether a comparison in  $\varphi$  is part of the condition is done with the value of the generic parameter 'obj\_type' ('ETM\_TYPE', 'ETMHF\_TYPE', 'HTM\_TYPE' and 'HTMHF\_TYPE' force a comparison). The comparison in  $\varphi$  is done in the same way as for calorimeter conditions (see 2.4.3.2.3). Additionally the data-structure of input data (`data_i` in port interface list) is provided as a record in this list. The output signal of the module is in high state, if all comparisons are true.

Data for Asymmetry trigger are received on 4 frames on bits 27..20 (8 bits). For every type a comparison with an 8-bit threshold (greater-equal or equal) is done. Asymmetry data are interpreted as counts.

#### 2.4.5 Minimum bias trigger conditions

Data for Minimum bias trigger are received on the 4 MSBs of 4 frames used for Energy sum quantities (see 2.4.4).

- MBT0HFP: "minimum bias HF+ threshold 0" bits
- MBT0HFM: "minimum bias HF- threshold 0" bits
- MBT1HFP: "minimum bias HF+ threshold 1" bits
- MBT1HFM: "minimum bias HF- threshold 1" bits

In the `min_bias_hf_conditions.vhd` module there is a comparison with a 4-bit threshold (greater-equal or equal).

#### 2.4.6 Towercount condition

Data for Towercount trigger (number of firing HCAL towers) are received on frame HT (see 2.4.4) on bits 24..12 (13 bits) of HT data structure. In the `towercount_condition.vhd` module there is a comparison with a 13-bit threshold (greater-equal or equal).

#### 2.4.7 Centrality condition

Centrality bits used as a signals for triggers (similar to external signals).

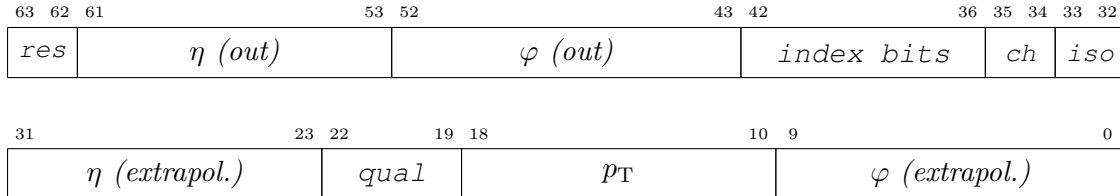
## 2.4.8 Muon conditions

### 2.4.8.1 Muon data

Eight Muon objects are provided by Global Muon Trigger. One Muon object has a 64 bits data structure with parameters for  $p_T$ , for position, charge, quality and isolation information:

- 10 bits azimuth angle ( $\varphi$ ) position, range =  $2\pi$ , step  $\approx 2\pi/576$  ( $\cong 0.625^\circ$ ), 576 bins (HW index = 0..0x23F), HW index starting at  $0^\circ$  (anti-clockwise)
- 9 bits  $p_T$ , range = 0..255 GeV (HW index = 0..0x1FF), step = 0.5, the highest bin will mark an overflow (HW index 0x1FF): meaning has to be defined
- 4 bits quality, 16 types for quality (meaning not defined yet!)
- 9 (8+1 sign) bits pseudo-rapidity ( $\eta$ ) position, range = -2.45 to 2.45, step = 0.087/8, linear scale, 452 bins (-225..225, HW index = 0x11F..0x0E1)
- 2 bits isolation, 4 types for isolation (meaning not defined yet!)
- 1 bit charge sign, charge sign = '0' means "positive" charge, charge sign = '1' means "negative" charge
- 1 bit charge valid (= '1' means "valid")
- 28 bits tag and spare (not defined yet!)

The data structure of a muon object (64 bits - bit 34 = charge sign, bit 35 = charge valid, bits 62 and 63 are spare bits):



The representation of the 9 bits (called "hardware index [HW index]") in  $\eta$  is expected as Two's Complement notation as shown in Table 7.

The central value of the bin 0 ( $-0.010875/2$  to  $+0.010875/2$ ) = 0.0, the left edge of the bins will range from  $-255 \times 0.010875 - 0.010875/2 = -2.7785625$  to  $+255 \times 0.010875 - 0.010875/2 = 2.7676875$ . The central value of the bins will range between  $\pm 2.773125$ . The physical  $\eta$  range of the muon detectors is about  $\pm 2.45$ , so that not all possible  $\eta$  bins will be used.

The representation of the 10 bits in  $\varphi$  is expected as shown in Table 8.

The representation of the 4 bits for quality is expected as shown in Table 9.

The representation of the 2 bits for isolation is expected as shown in Table 10.

Table 7:  $\eta$  scale of muon objects

HW index	$\eta$ range	$\eta$ bin
0x0E1	$224.5*0.087/8$ to $225.5*0.087/8$	225
0x0E0	$223.5*0.087/8$ to $224.5*0.087/8$	224
...	...	...
0x001	$0.5*0.087/8$ to $1.5*0.087/8$	1
0x000	$0.5*-0.087/8$ to $0.5*0.087/8$	0
0x1FF	$0.5*-0.087/8$ to $1.5*-0.087/8$	-1
0x1FE	$1.5*-0.087/8$ to $-2.5*0.087/8$	-2
...	...	...
0x11F	$-224.5*0.087/8$ to $-225.5*0.087/8$	-225

Table 8:  $\varphi$  scale of muon objects

HW index	$\varphi$ range	$\varphi$ range [degrees]	$\varphi$ bin
0x000	0 to $2\pi/576$	0 to 0.625	0
0x001	$2\pi/576$ to $2*2\pi/576$	0.625 to 1.250	1
...	...	...	...
0x23F	$575*2\pi/576$ to $2\pi$	359.375 to 360	575

Table 9: Definition of muon quality bits

bits [22..19]	definition
0000	quality "level 0"
0001	quality "level 1"
0010	quality "level 2"
0011	quality "level 3"
0100	quality "level 4"
0101	quality "level 5"
0110	quality "level 6"
0111	quality "level 7"
1000	quality "level 8"
1001	quality "level 9"
1010	quality "level 10"
1011	quality "level 11"
1100	quality "level 12"
1101	quality "level 13"
1110	quality "level 14"
1111	quality "level 15"

Table 10: Definition of muon isolation bits

bits [33..32]	definition
00	not isolated
01	isolated
10	TBD
11	TBD

### 2.4.8.2 Muon charge correlation module

For definition of muon charge, see 2.4.8.

In the muon charge correlation module, the charge correlations are made for different muon conditions-types. The module is instantiated in the top-of-hierarchy module (`gtl_module.vhd`) and not inside of a muon conditions module. The charges of objects (number of objects depends on muon condition type) are compared to get "like sign charge" ("LS") or "opposite sign charge" ("OS"), "LS" means that the charges (charge sign) of objects are the same, "OS" means that at least one object has different charge than the others. This information is used in all instantiated muon conditions. There is no charge correlation for single type conditions. In all cases the "charge valid" bit of the objects must be set.

In TME one can select "LS", "OS" or ignore for charge correlation in muon conditions.

Table 11: Muon charge correlation - Double Muon

x x	I ignore (charge x = +, -, I)
+ +	LS both positive muons
- -	LS both negative muons
I I	LS both muons with the same sign, positive or negative
+ -	OS two muons of opposite sign
- +	OS idem
I I	OS idem

Table 12: Muon charge correlation - Triple Muon

x x x	I ignore (charge x = +, -, I)
+ + +	LS three muons of positive charge
- - -	LS three muons of negative charge
I I I	LS three muons of the same sign (positive or negative)
+ + -	OS a pair plus a positive muon
+ - -	OS a pair plus a negative muon
+ - I	OS a pair plus a negative or positive muon

Table 13: Muon charge correlation - Quad Muon

x x x x	I ignore (charge x = +, -, I)
+ + + +	LS four muons of positive charge
- - - -	LS four muons of negative charge
I I I I	LS four muons of the same sign (positive or negative)
+ + + -	OS a pair plus two positive muons
+ + - -	OS two pairs
+ - - -	OS a pair plus two negative muons
+ - I I	OS a pair plus two negative or positive muons

### 2.4.8.3 Muon conditions definition

A condition consists of input-data and a set of requirements, which contain the requirements to be complied.

The requirement for muon conditions contains:

a threshold for  $p_T$ , ranges for  $\eta$  and  $\varphi$ , a LUT for quality, a LUT for isolation, a requested charge. The condition is complied, if every comparison between object parameters and requirements is valid for the following equation:

- $p_T$  greater-equal or equal threshold
- $\eta$  in range
- $\varphi$  in range
- requested charge
- quality LUT
- iso LUT

There are different types of calorimeter conditions implemented, depending of how many objects have to comply the requirements.

- "Quad objects requirements condition": this condition type consists of requirements for 4 different trigger objects of the same object type. For each object the requirements can be different. To fulfill this condition, there must exist at least one set of 4 different objects, each of which fulfills at least one of the requirements.
- "Triple objects requirements condition": this condition type consists of requirements for 3 different trigger objects of the same object type. For each object the requirements can be different. To fulfill this condition, there must exist at least one set of 3 different objects, each of which fulfills at least one of the requirements.
- "Double objects requirements condition": this condition type consists of requirements for 2 different trigger objects of the same object type. For each object the requirements can be different. To fulfill this condition, there must exist at least one set of 2 different objects, each of which fulfills at least one of the requirements.<sup>2</sup>
- "Single object requirement condition": this condition type consists of one requirement for one trigger object of a given object type. To fulfill this condition, there must exist at least one object which fulfills the requirement.

In addition requested charge correlation must be matched (except for "Single object requirement condition", there is no charge correlation). The calculation of charge correlations is done in an own module in the top-of-hierarchy module (`gtl_module.vhd`).

---

<sup>2</sup>"Double objects requirements condition with spatial correlation" not used anymore, replaced by Correlation conditions

### 2.4.8.3.1 Muon conditions module

A module for conditions with muon objects (`muon_conditions.vhd`) instantiates the muon comparators module (`muon_comparators.vhd`) as many times as the numbers of objects and requirements determine. Depending on the condition-type different and-or-structures of object vs. requirement are selected.

### 2.4.8.3.2 Muon comparators module

A comparator between  $p_T$  and a threshold (`pt_threshold`), a comparison in  $\eta$  with five "window"-comparators and  $\varphi$  with two "window"-comparators, a comparison of quality with LUT a comparison of isolation with LUT and a comparison of the requested charge is done in this basic module. The values for  $p_T$  threshold, the 'mode-selection' for the  $p_T$  comparator, the "limits" of the "window"-comparators, the quality LUTs, the isolation LUTs and the requested charge is given in the generic interface list of the module. Additionally the data-structure of input data (`data_i` in port interface list) is provided as a record in this list. The output signal of the module is in high state, if all comparisons are true.

The comparison in  $\eta$  is done with five "window"-comparators, so one gets max. five ranges for  $\eta$ . The  $\eta$  value (HW index) has a Two's Complement notation, the comparisons is done signed. Number of windows is given for  $\eta$ .

The comparison in  $\varphi$  is done with two "window"-comparators, so one gets two ranges for  $\varphi$ . The comparisons is done unsigned. There are two flags, one for "full-range" and one for "ignore-second-window" for the selection of the ranges.

There are two cases how the limits of one "window"-comparator could be set (see also Figure 4 and Listing 2):

- Upper limit is less than lower limit  $\Rightarrow$   $\varphi$  range between the limits, including the  $\varphi$  bin with value = 0 (HW index).
- Upper limit is greater/equal than lower limit  $\Rightarrow$   $\varphi$  range between the limits, not including the  $\varphi$  bin with value = 0 (HW index).

The values of  $\eta$  and  $\varphi$  have to be inside of only one of the two required ranges ("or").

Charge valid and charge sign bits must be equal to the requested charge.

The comparison of quality is done with LUT. To ignore quality comparison, all bits in the LUT have to be '1'.

The comparison of isolation is done with LUT. To ignore isolation comparison, all bits in the LUT have to be '1' (see Table 15).



Table 14: LUT contents for quality comparison of muon objects

LUT content (16 bits)	quality bits [22..19]	trigger
X"0000"	xxxx	no trigger
X"0001"	0000	trigger on quality "level 0"
X"0002"	0001	trigger on quality "level 1"
X"0003"	0001 or 0000	trigger on quality "level 1" or "level 0"
X"0004"	0010	trigger on quality "level 2"
...	...	...
X"8000"	1111	trigger on quality "level 15"
X"C000"	1111 or 1110	trigger on quality "level 15" or "level 14"
...	...	...
X"FFFF"	xx	trigger on all quality "levels" (= "ignore")

Table 15: LUT contents for isolation comparison of muon objects

LUT content (4 bits)	isolation bits [33..32]	trigger
X"0"	xx	no trigger
X"1"	00	trigger on isolation bits = 00
X"2"	01	trigger on isolation bits = 01
X"3"	00 or 01	trigger on isolation bits = 00 or 01
X"4"	10	trigger on isolation bits = 10
X"5"	00 or 10	trigger on isolation bits = 00 or 10
X"6"	01 or 10	trigger on isolation bits = 01 or 10
X"7"	00 or 01 or 10	trigger on isolation bits = 00 or 01 or 10
X"8"	11	trigger on isolation bits = 11
X"9"	00 or 11	trigger on isolation bits = 00 or 11
X"A"	01 or 11	trigger on isolation bits = 01 or 11
X"B"	00 or 01 or 11	trigger on isolation bits = 00 or 01 or 11
X"C"	10 or 11	trigger on isolation bits = 10 or 11
X"D"	00 or 10 or 11	trigger on isolation bits = 00 or 10 or 11
X"E"	01 or 10 or 11	trigger on isolation bits = 01 or 10 or 11
X"F"	00 or 01 or 10 or 11	trigger on isolation bits = 00 or 01 or 10 or 11 (= "ignore" isolation)

### 2.4.9 Correlation conditions

The correlation conditions contain a combination of two "Single object requirement conditions" of two object types or one "Double objects requirement condition" of objects of the same type. In addition with "object requirements" there are cuts for  $\Delta\eta$ ,  $\Delta\varphi$ ,  $\Delta R$  and mass. Only one correlation cut is allowed in a condition, except the combination of one  $\Delta\eta$  and one  $\Delta\varphi$  cut.

The following cuts can be used:

- Cuts for  $\Delta\eta$  (DETA) and/or  $\Delta\varphi$  (DPHI).
- Cut for  $\Delta R$  (DR).
- Cuts for mass (MASS) of following mass types:
  - Cut for Invariant mass.
  - Cut for Invariant mass with "two-body pt".
  - Cut for Transverse mass.
  - Cut for Transverse mass with "two-body pt".

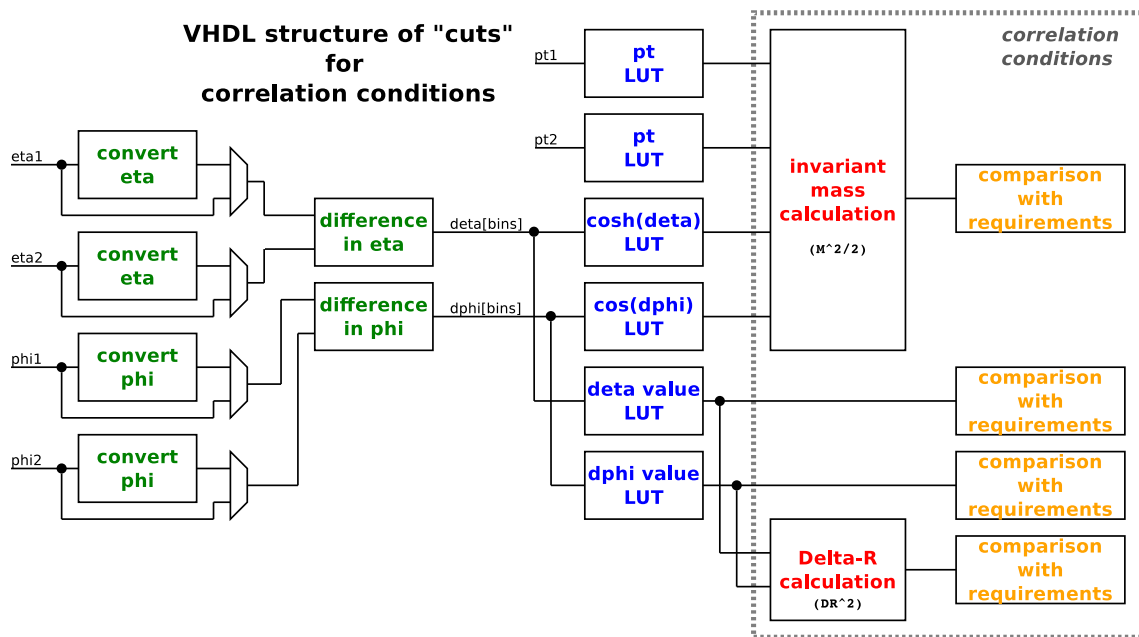


Figure 5: VHDL structure of cuts for correlation conditions

#### 2.4.9.1 Calculation of cuts

Calculation of  $\Delta\eta$  and  $\Delta\varphi$  see section "Calculation of differences in  $\eta$  and  $\varphi$ " (2.4.2).

#### 2.4.9.1.1 $\Delta R$ calculation

The calculation of  $\Delta R$  of two objects is done with formula:

$$\Delta R = \sqrt{(\eta_1 - \eta_2)^2 + (\varphi_1 - \varphi_2)^2}.$$

In the TME there are two thresholds for  $\Delta R$ : "greater/equal lower limit" and "less/equal upper limit", given in floating point notation with one position after decimal point. The comparison in VHDL is done with  $\Delta R^2$  (no square root in VHDL), thresholds for  $\Delta R^2$  are provided by VHDL-Producer.

#### 2.4.9.1.2 Invariant mass calculation

The calculation of Invariant mass of two objects is done with formula:

$$M = \sqrt{2pt_1pt_2(\cosh(\eta_1 - \eta_2) - \cos(\varphi_1 - \varphi_2))}.$$

In the TME there are two thresholds for M: "greater/equal lower limit" and "less/equal upper limit", given in GeV (floating point notation) with one position after decimal point in even numbers.<sup>3</sup> The comparison in VHDL is done with  $\frac{M^2}{2}$  (no square root in VHDL), thresholds for  $\frac{M^2}{2}$  are provided by VHDL-Producer.

#### 2.4.9.1.3 Transverse mass calculation

The calculation of Transverse mass of two objects is done with formula:

$$M = \sqrt{2pt_1pt_2(1 - \cos(\varphi_1 - \varphi_2))}.$$

In the TME there are two thresholds for M: "greater/equal lower limit" and "less/equal upper limit", given in GeV (floating point notation) with one position after decimal point in even numbers. The comparison in VHDL is done with  $\frac{M^2}{2}$  (no square root in VHDL), thresholds for  $\frac{M^2}{2}$  are provided by VHDL-Producer.

#### 2.4.9.1.4 Two-body pt calculation

The calculation of two-body pt is done with formula:

$$pt = \sqrt{pt_1^2 + pt_2^2 + 2pt_1pt_2(\cos(\varphi_1)\cos(\varphi_2) + \sin(\varphi_1)\sin(\varphi_2))}$$

In the TME there is one threshold for pt, given in GeV (floating point notation) with one position after decimal point. The comparison in VHDL is done with  $pt^2$  (no square root in VHDL), threshold for  $pt^2$  is provided by VHDL-Producer.

#### 2.4.9.2 Correlation condition modules

As described in section Correlation conditions (2.4.9), correlations of two object types are done. Therefore several modules are provided with possible correlations (objects 1-objects 2):

- Correlation condition with calorimeter objects  
(calo\_calorimeter\_correlation\_condition.vhd: electron/ $\gamma$ -electron/ $\gamma$ , electron/ $\gamma$ -jet, electron/ $\gamma$ -tau, jet-jet, jet-tau and tau-tau are possible.)

---

<sup>3</sup>even numbers to get a precision of one position after decimal point after division by 2, because VHDL-Producer calculates thresholds for  $\frac{M^2}{2}$ , which includes a division by 2.

- Correlation condition with calorimeter objects and muons objects  
(calo\_muon\_correlation\_condition.vhd: electron/ $\gamma$ -muon, jet-muon and tau-muon are possible.)
- Correlation condition with muon objects  
(muon\_muon\_correlation\_condition.vhd)
- Correlation condition with calorimeter objects and energy sum quantities ( $ET_{\text{miss}}$ ,  $ET_{\text{miss}}^{HF}$  and  $HT_{\text{miss}}$  only)  
(calo\_esums\_correlation\_condition.vhd: electron/ $\gamma$ -etm, jet-etm, tau-etm, electron/ $\gamma$ -htm, jet-htm, tau-htm, electron/ $\gamma$ -etmhf, jet-etmhf and tau-etmhf are possible.)
- Correlation condition with muon objects and energy sum quantities ( $ET_{\text{miss}}$ ,  $ET_{\text{miss}}^{HF}$  and  $HT_{\text{miss}}$  only)  
(muon\_esums\_correlation\_condition.vhd: muon-etm, muon-etmhf and muon-htm are possible.)

#### 2.4.9.2.1 Calo Calo Correlation condition module

The calo calo correlation condition module contains two "Single object requirement conditions" for different types of calo objects (electron/ $\gamma$ , jet or tau) or same type with data from different bunch-crossings as one possible mode and a "Double objects requirement condition" for calo objects of same type and same bunch-crossing as a second mode (selection is done by a parameter in the generic list of calo\_calor\_correlation\_condition.vhd named "same\_bx").

In addition there are "Cuts" for differences in  $\eta$  (DETA) and  $\varphi$  (DPHI) or a calculation of  $\Delta R$  (DR) or a calculation of mass (MASS), see Figure 5.

The cut of mass is available for Invariant mass or Transverse mass or one of both with two-body pt.

The differences in  $\eta$  and  $\varphi$  are calculated in bins. These differences in bins are converted to numbers (by LUTs, e.g. EG\_EG\_DIFF\_ETA\_LUT, EG\_EG\_DIFF\_PHI\_LUT, ...), which represents values of differences (multiples of units in  $\eta$  and  $\varphi$ ). These values given in the LUTs are calculated as floating-point values (based on the scales of  $\eta$  and  $\varphi$ ), which are multiplied by a factor and truncated to an integer value. So, in the LUTs we have integer values, the factor is  $10^{\text{precision}}$ . This "precision" is a parameter given for certain LUTs.

**Remark:** Definitions of scales (see Tables 3, 4, 7 and 8):

- Calorimeter objects:
- $\eta$  bin width =  $\frac{0.087}{2}$  (bin 0 from 0.0 to  $\frac{0.087}{2}$ )
- $\phi$  bin width =  $\frac{2\pi}{144}$  (bin 0 from 0.0 to  $\frac{2\pi}{144}$ )

The contents of the LUTs for  $\cosh(\Delta\eta)$  (EG\_EG\_COSH\_DETA\_LUT, ...) and  $\cos(\Delta\varphi)$  (EG\_EG\_COS\_DPHI\_LUT, ...) for Invariant mass (formular see 2.4.9.1.2) and Transverse mass (formular see 2.4.9.1.3) are created by calculating hyperbolic cosine and cosine, rounding-up

at the 3<sup>rd</sup> position after decimal point, and multiplying by 1000 to get integer values.<sup>4</sup>

The contents of the LUTs for  $\cos(\varphi)$  (CALO\_COS\_PHI\_LUT) and  $\sin(\varphi)$  (CALO\_SIN\_PHI\_LUT) for two-body pt (formular see 2.4.9.1.4) are created by calculating cosine and sine, rounding-up at the 3<sup>rd</sup> position after decimal point and multiplying by 1000 to get integer values.

The condition is complied, if at least one comparison between object parameters and requirements is valid for the both "Single object requirement condition" or the "Double objects requirement condition" and the results of selected "Cuts" are inside of a range (upper and lower limit). This limits are parts of the "generic" list of the entity declaration of the module and are expressed in hex notation. The limits for DETA and DPHI are expressed with a precision of 3<sup>rd</sup> position after decimal point, for DR and MASS with 1<sup>st</sup> position after decimal point.

### 2.4.9.2.2 Calo Muon Correlation condition module

The calo muon correlation condition module contains a "Single object requirement condition" for one type of calo objects (electron/ $\gamma$ , jet or tau) and a "Single object requirement condition" for muon objects. In addition with "Cuts" for differences in  $\eta$  (DETA),  $\varphi$  (DPHI) or a calculation of  $\Delta R$  (DR) or a calculation of mass (MASS).

The cut of mass is available for Invariant mass or Transverse mass or one of both with two-body pt.

The differences in  $\eta$  and  $\varphi$  are calculated in bins. These differences in bins are converted to numbers (by LUTs, e.g. EG\_MUON\_DIFF\_ETA\_LUT, EG\_MUON\_DIFF\_PHI\_LUT, ...), which represents values of differences (multiples of units in  $\eta$  and  $\varphi$ ). These values given in the LUTs are calculated as floating-point values (based on the scales of  $\eta$  and  $\varphi$ ), which are multiplied by a factor and truncated to an integer value. So, in the LUTs we have integer values, the factor is  $10^{\text{precision}}$ . This "precision" is a parameter given for certain LUTs.

Because of the different scales of calorimeter and muon objects in  $\eta$  and  $\varphi$ , there are LUTs for conversion the calorimeter bins to muon bins (in gt1\_pkg.vhd: e.g. EG\_ETA\_CONV\_2\_MUON\_ETA\_LUT and EG\_PHI\_CONV\_2\_MUON\_PHI\_LUT).

#### Remark:

The center value of bins are used as reference value for conversion. The content of EG\_ETA\_CONV\_2\_MUON\_ETA\_LUT is calculated with formular:

"converted-calo-eta[bin] = calo-eta[bin]  $\times$  4 + 2",

of EG\_PHI\_CONV\_2\_MUON\_PHI\_LUT with formular:

"converted-calo-phi[bin] = calo-phi[bin]  $\times$  4 + 2".

The conversion calculations are preliminary, others may be proposed.

Definitions of scales (see Tables 3, 4, 7 and 8):

- Calorimeter objects:

$$- \eta \text{ bin width} = \frac{0.087}{2} \text{ (bin 0 from 0.0 to } \frac{0.087}{2}\text{)}$$

---

<sup>4</sup>Definition of "constant CALO\_INV\_MASS\_COSH\_COS\_PRECISION..." in file gt1\_pkg.vhd. 1000 from  $10^{\text{CALO_INV_MASS_COSH_COS_PRECISION}}$ .

–  $\phi$  bin width =  $\frac{2\pi}{144}$  (bin 0 from 0.0 to  $\frac{2\pi}{144}$ )

- Muon objects:

–  $\eta$  bin width =  $\frac{0.087}{8}$  (bin 0 from  $0.5 \times \frac{-0.087}{8}$  to  $0.5 \times \frac{+0.087}{8}$ )

–  $\phi$  bin width =  $\frac{2\pi}{576}$  (bin 0 from 0.0 to  $\frac{2\pi}{576}$ )

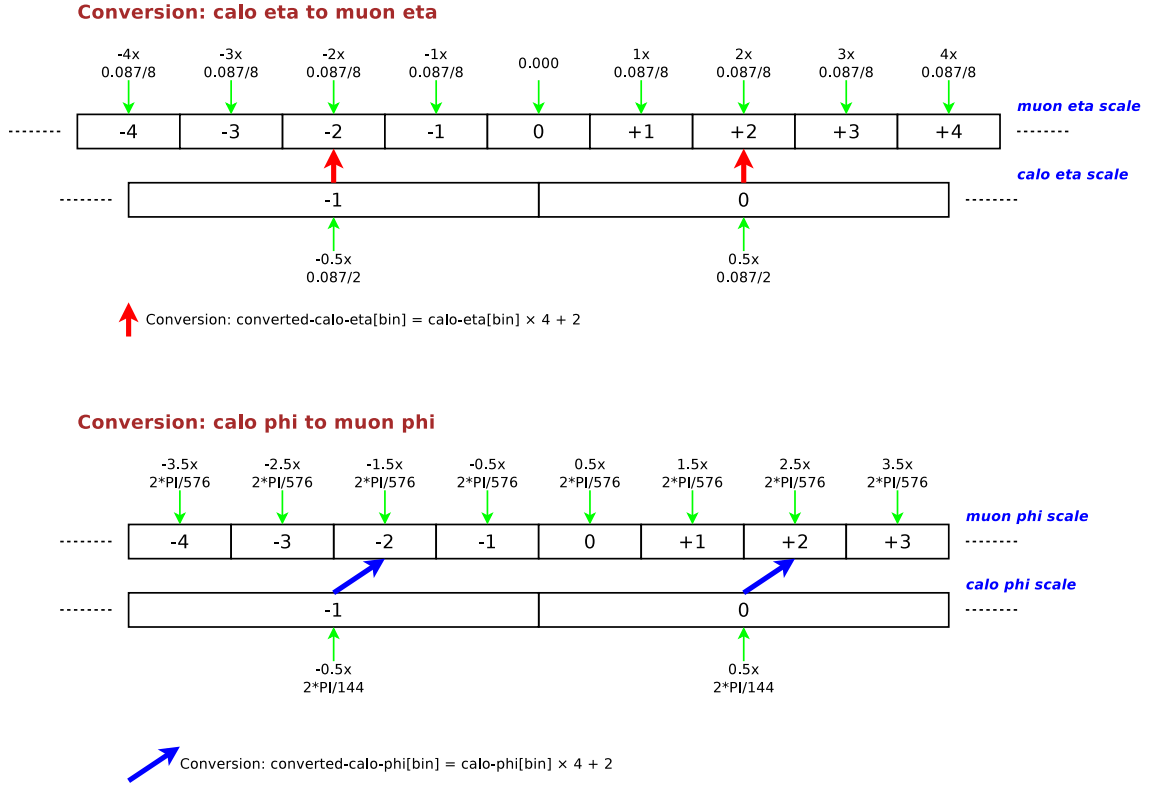


Figure 6: Conversion of calorimeter  $\eta$  and  $\varphi$  to muon scales

The contents of the LUTs for  $\cosh(\Delta\eta)$  (EG\_MUON\_COSH\_DELTA\_LUT, ...) and  $\cos(\Delta\varphi)$  (EG\_MUON\_COS\_DPHI\_LUT, ...) for Invariant mass (formular see 2.4.9.1.2) and Transverse mass (formular see 2.4.9.1.3) are created by calculating hyperbolic cosine and cosine, rounding-up at the 4<sup>th</sup> position after decimal point, and multiplying by 10000 ( $10^{\text{CALO\_MUON\_INV\_MASS\_COSH\_COS\_PRECISION}}$ ) to get integer values.<sup>5</sup>

The contents of the LUTs for  $\cos(\varphi)$  (CALO\_COS\_PHI\_LUT and MUON\_COS\_PHI\_LUT) and  $\sin(\varphi)$  (CALO\_SIN\_PHI\_LUT and MUON\_SIN\_PHI\_LUT) for two-body pt (formular see 2.4.9.1.4) are created by calculating cosine and sine, rounding-up at the 3<sup>rd</sup> position after decimal point, and multiplying by 1000 to get integer values.

The condition is complied, if at least one comparison between object parameters and requirements is valid for the both "Single object requirement condition" and the results of selected "Cuts" are inside of a range (upper and lower limit). This limits are parts of the "generic"

<sup>5</sup>Definition of "constant CALO\_MUON\_INV\_MASS\_COSH\_COS\_PRECISION ...", "constant EG\_ETA\_CONV\_2\_MUON\_ETA\_LUT ..." and "constant EG\_PHI\_CONV\_2\_MUON\_PHI\_LUT ..." in file gtl\_pkg.vhd.

list of the entity declaration of the module and are expressed in hex notation. The limits for DETA and DPFI are expressed with the 3<sup>rd</sup> position after decimal point, for DR and MASS with the 1<sup>st</sup> position after decimal point.

### 2.4.9.2.3 Muon Muon Correlation condition module

The muon muon correlation condition module contains two "Single object requirement conditions" for data from different bunch-crossings as one possible mode and a "Double objects requirement condition" for muon objects at same bunch-crossing as a second mode (selection is done by a parameter in the generic list of `muon_muon_correlation_condition.vhd` named "same\_bx"). In the case of a "Double objects requirement condition", requirements for "requested charge correlations" are used and a muon charge correlation module (see 2.4.8.2) is required.

In addition there are "Cuts" for differences in  $\eta$  (DETA),  $\varphi$  (DPHI) or a calculation of  $\Delta R$  (DR) or a calculation of mass (MASS).

The cut of mass is available for Invariant mass or Transverse mass or one of both with two-body pt.

The differences in  $\eta$  and  $\varphi$  are calculated in bins. These differences in bins are converted to numbers (by LUTs, e.g. `MUON_MUON_DIFF_ETA_LUT`, `MUON_MUON_DIFF_PHI_LUT`), which represents values of differences (multiples of units in  $\eta$  and  $\varphi$ ). These values given in the LUTs are calculated as floating-point values (based on the scales of  $\eta$  and  $\varphi$ ), which are multiplied by a factor and truncated to an integer value. So, in the LUTs we have integer values, the factor is  $10^{\text{precision}}$ . This "precision" is a parameter given for certain LUTs.

**Remark:** Definitions of scales (see Tables 7 and 8):

- Muon objects:
- $\eta$  bin width =  $\frac{0.087}{8}$  (bin 0 from  $0.5 \times \frac{-0.087}{8}$  to  $0.5 \times \frac{+0.087}{8}$ )
- $\phi$  bin width =  $\frac{2\pi}{576}$  (bin 0 from 0.0 to  $\frac{2\pi}{576}$ )

The contents of the LUTs for  $\cosh(\Delta\eta)$  (`MUON_MUON_COSH_DETA_LUT`) and  $\cos(\Delta\varphi)$  (`MUON_MUON_COS_DPFI_LUT`) for Invariant mass (formular see 2.4.9.1.2) and Transverse mass (formular see 2.4.9.1.3) are created by calculating hyperbolic cosine and cosine, rounding-up at the 4<sup>th</sup> position after decimal point, and multiplying by 10000 to get integer values.<sup>6</sup>

The contents of the LUTs for  $\cos(\varphi)$  (`MUON_COS_PHI_LUT`) and  $\sin(\varphi)$  (`MUON_SIN_PHI_LUT`) for two-body pt (formular see 2.4.9.1.4) are created by calculating cosine and sine, rounding-up at the 3<sup>rd</sup> position after decimal point, and multiplying by 1000 to get integer values.

The condition is complied, if at least one comparison between object parameters and requirements is valid for the both "Single object requirement condition" or the "Double objects requirement condition" and the results of selected "Cuts" are inside of a range (upper and

---

<sup>6</sup>Definition of "constant `MUON_INV_MASS_COSH_COS_PRECISION`" in file `gtl_pkg.vhd`. 10000 from  $10^{\text{MUON_INV_MASS_COSH_COS_PRECISION}}$ .

lower limit). These limits are parts of the "generic" list of the entity declaration of the module and are expressed in hex notation. The limits for DETA and DPFI are expressed with a precision of 3<sup>rd</sup> position after decimal point, for DR and MASS with 1<sup>st</sup> position after decimal point.

#### 2.4.9.2.4 Calo Esums Correlation condition module

The calo esums correlation condition module contains two "Single object requirement conditions", one of calo objects (electron/ $\gamma$ , jet or tau) and one of esums ( $ET_{\text{miss}}$ ,  $ET_{\text{miss}}^{HF}$  or  $HT_{\text{miss}}$ ).

In addition there are "Cuts" for differences in  $\varphi$  (DPFI) or a calculation of mass (MASS) for Transverse mass or Transverse mass with two-body pt.

The differences in  $\varphi$  are calculated in bins. These differences in bins are converted to numbers (by LUTs, e.g. EG\_ETM\_DIFF\_PHI\_LUT, ...), which represents values of differences (multiples of units in  $\varphi$ ). These values given in the LUTs are calculated as floating-point values (based on the scales of  $\varphi$ ), which are multiplied by a factor and truncated to an integer value. So, in the LUTs we have integer values, the factor is  $10^{\text{precision}}$ .

The contents of the LUTs  $\cos(\Delta\varphi)$  (EG\_ETM\_COS\_DPFI\_LUT, ...) for Transverse mass (formular see 2.4.9.1.3) are created by calculating cosine, rounding-up at the 3<sup>rd</sup> position after decimal point and multiplying by 1000 to get integer values.<sup>7</sup>

The contents of the LUTs for  $\cos(\varphi)$  (CALO\_COS\_PHI\_LUT) and  $\sin(\varphi)$  (CALO\_SIN\_PHI\_LUT) for two-body pt (formular see 2.4.9.1.4) are created by calculating cosine and sine, rounding-up at the 3<sup>rd</sup> position after decimal point and multiplying by 1000 to get integer values.

The condition is complied, if at least one comparison between object parameters and requirements is valid for the both "Single object requirement condition" and the results of selected "Cuts" are inside of a range (upper and lower limit). These limits are parts of the "generic" list of the entity declaration of the module and are expressed in hex notation. The limits for DPFI are expressed with a precision of 3<sup>rd</sup> position after decimal point, for MASS with 1<sup>st</sup> position after decimal point.

#### 2.4.9.2.5 Muon Esums Correlation condition module

The muon esums correlation condition module contains two "Single object requirement conditions", one of muon objects and one of esums ( $ET_{\text{miss}}$ ,  $ET_{\text{miss}}^{HF}$  or  $HT_{\text{miss}}$ ).

In addition there are "Cuts" for differences in  $\varphi$  (DPFI) or a calculation of mass (MASS) for Transverse mass or Transverse mass with two-body pt.

The differences in  $\varphi$  are calculated in bins. These differences in bins are converted to numbers (by LUTs, e.g. MUON\_ETM\_DIFF\_PHI\_LUT, ...), which represents values of differences (multiples of units in  $\varphi$ ). These values given in the LUTs are calculated as floating-point values (based on the scales of  $\varphi$ ), which are multiplied by a factor and truncated to an integer value. So, in the LUTs we have integer values, the factor is  $10^{\text{precision}}$ .

---

<sup>7</sup>Definition of "constant CALO\_INV\_MASS\_COSH\_COS\_PRECISION..." in file gtl\_pkg.vhd. 1000 from  $10^{\text{CALO\_INV\_MASS\_COSH\_COS\_PRECISION}}$ .



Because of the different scales of muon objects and esums in  $\varphi$ , there are LUTs for conversion the esums bins to muon bins (in `gt1_pkg.vhd`: e.g. `ETM_PHI_CONV_2_MUON_PHI_LUT`).

**Remark:**

The center value of bins are used as reference value for conversion. The content of LUT is calculated with formular:

$$\text{"converted-esums-phi[bin]} = \text{esums-phi[bin]} \times 4 + 2"$$

(see Figure 6). The conversion calculations are preliminary, others may be proposed.

Definitions of scales:

- $ET_{\text{miss}}$ ,  $ET_{\text{miss}}^{HF}$  or  $HT_{\text{miss}}$ :
  - $\phi$  bin width =  $\frac{2\pi}{144}$  (bin 0 from 0.0 to  $\frac{2\pi}{144}$ )
- Muon objects:
  - $\phi$  bin width =  $\frac{2\pi}{576}$  (bin 0 from 0.0 to  $\frac{2\pi}{576}$ )

The contents of the LUTs for  $\cos(\Delta\varphi)$  (`MU_ETM_COS_DPHI_LUT`, ...) for Transverse mass (formular see 2.4.9.1.3) are created by calculating cosine, rounding-up at the 4<sup>th</sup> position after decimal point and multiplying by 10000 ( $10^{\text{MU\_ETM\_COSH\_COS\_PRECISION}}$ ) to get integer values.<sup>8</sup>

The contents of the LUTs for  $\cos(\varphi)$  (`CALO_COS_PHI_LUT` and `MUON_COS_PHI_LUT`) and  $\sin(\varphi)$  (`CALO_SIN_PHI_LUT` and `MUON_SIN_PHI_LUT`) for two-body pt (formular see 2.4.9.1.4) are created by calculating cosine and sine, rounding-up at the 3<sup>rd</sup> position after decimal point and multiplying by 1000 to get integer values.

The condition is complied, if at least one comparison between object parameters and requirements is valid for the both "Single object requirement condition" and the results of selected "Cuts" are inside of a range (upper and lower limit). This limits are parts of the "generic" list of the entity declaration of the module and are expressed in hex notation. The limits for DPHI are expressed with a precision of 3<sup>rd</sup> position after decimal point, for MASS with 1<sup>st</sup> position after decimal point.

### 2.4.9.2.6 Calo Calo Overlap Remover Correlation condition module

The Calo Calo Overlap Remover Correlation conditions consists of a Calo Calo Correlation condition with "Double objects requirement condition" for calo objects of same type and same bunch-crossing (2.4.9.2.1) and a single condition for a different calo object type. There has to be at least one correlation cut for the objects of "Double objects requirement condition" and a correlation cut for overlap removal between objects (one or more cut(s) of  $\Delta\eta$ ,  $\Delta\varphi$  and  $\Delta R$ ) of different object types. Overlap Remover Correlation conditions `calo_calor_correlation_orm_condition.vhd` are implemented only for calo object types.

---

<sup>8</sup>Definition of "constant `MU_ETM_COSH_COS_PRECISION` ..." and "constant `CALO_PHI_CONV_2_MUON_PHI_LUT` ..." in file `gt1_pkg.vhd`.

#### **2.4.10 External Conditions**

Maximal 256 External Conditions are possible in Global Trigger. They are provided as inputs in the Algorithms logic of  $\mu$ GTL. External Conditions will include the "Technical Trigger" of the legacy system.

#### **2.4.11 Algorithms logic**

The outputs of all the instantiated conditions are combined in the Algorithms logic with boolean algebra given by TME for every single Algorithm. These Algorithms are registered and provided as inputs for Final Decision Logic.

### 3 Glossary

**electron/ $\gamma$**  = electron/gamma objects over Calo-Layer2 (VHDL: eg)

**jet** = jet objects over Calo-Layer2 (VHDL: jet)

**tau** = tau objects over Calo-Layer2 (VHDL: tau)

**muon** = muon objects over  $\mu$ GMT (VHDL: muon)

**ET** = Scalar sum of transverse energy components over Calo-Layer2 (VHDL: ett)

**ETTEM** = Scalar sum of transverse energy components from ECAL only over Calo-Layer2 (VHDL: ettem)

**MBTxHFy** = Minimum bias HF bits (VHDL: MBT0HFP, MBT0HFM, MBT1HFP, MBT1HFM)

**HT** = Magnitude of the vectorial sum of transverse energy of jets (hadronic) over Calo-Layer2 (VHDL: htt)

**TOWERCOUNT** = tower counts (VHDL: towercount)

$ET_{\text{miss}}$  = 2-vector sum of transverse energy over Calo-Layer2 (VHDL: etm)

$HT_{\text{miss}}$  = Missing Total transverse energy of jets over Calo-Layer2 (VHDL: htm)

$\mathbf{ET}_{\text{miss}}^{\text{HF}}$  = 2-vector sum of transverse energy including HF over Calo-Layer2 (VHDL: etmhf)

$\mathbf{HT}_{\text{miss}}^{\text{HF}}$  = Missing Total transverse energy of jets including HF over Calo-Layer2 (VHDL: htmhf)

$p_{\text{T}}$  = transverse momentum of muon objects (VHDL: pt)

$E_{\text{T}}$  = energy of calorimeter objects (VHDL: et)

$\eta$  = pseudo-rapidity position (VHDL: eta)

$\varphi$  = azimuth angle position (VHDL: phi)

**isolation** = isolation information (VHDL: iso)

**quality** = quality information (VHDL: qual)

## Acronyms

**DAQ** Data Acquisition

**DM** Delay Manager Module

**FDL** Final Decision Logic Module

**GTL** Global Trigger Logic Module

**ROP** Readout-Process Module

**TCM** Timing Counter Manager Module

**TCS** Trigger Control System

**GCT** Calorimeter Trigger Layer-2

**GMT** Global Muon Trigger

**GT** Global Trigger