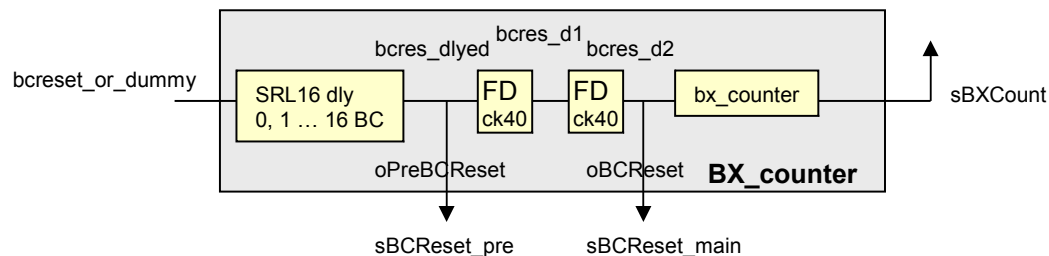
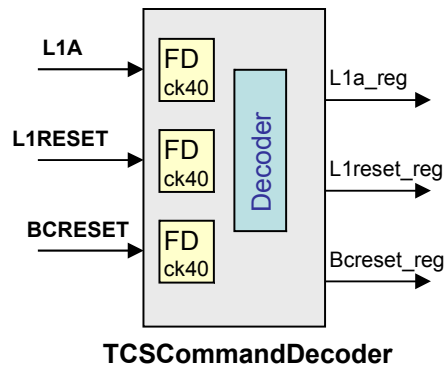


BCreset_or_dummy <= Bcreset_reg OR dummy_pulse



GMT_INx